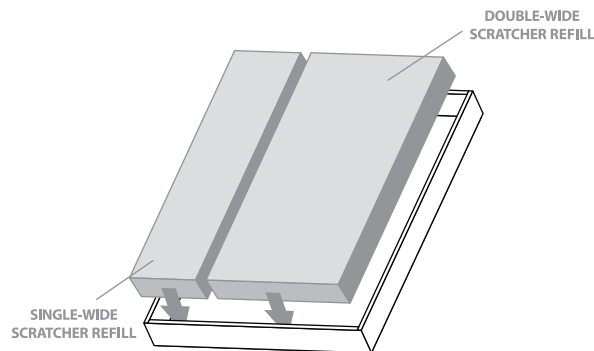
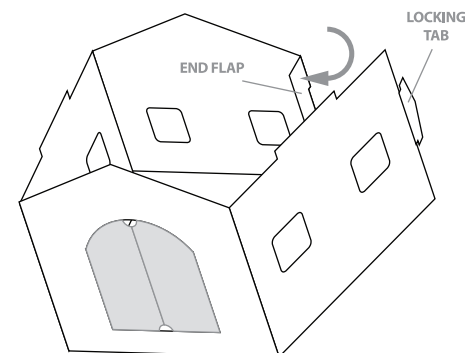


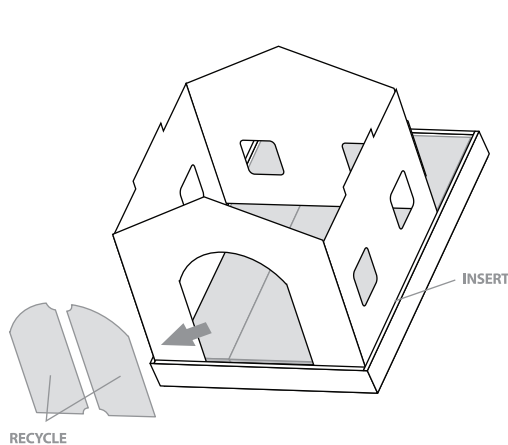
1 Fold side panels up. At one end, fold both end tabs inside. Fold end panel up and over tabs, then lock into bottom. Repeat on opposite end.



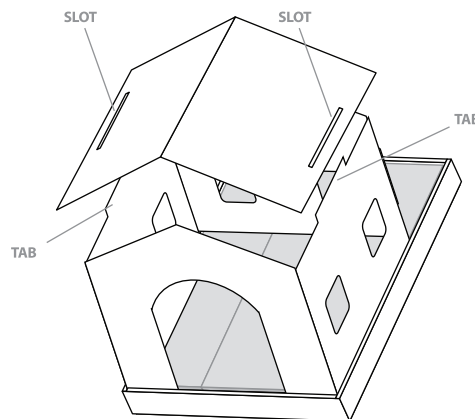
2 Align scratcher refills as shown and insert into tray.



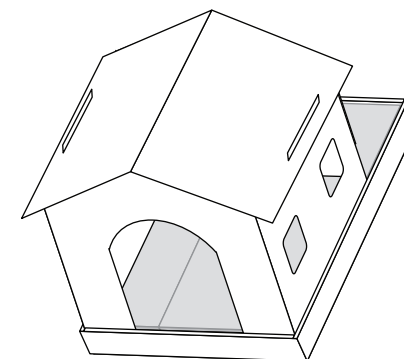
3 Fold bungalow wrap as shown. Fold end flap inside and insert locking tab into slot.



4 Insert bottom of bungalow wrap into gap between scratchers and tray at one end. Remove door panels and recycle.



5 Fold roof slightly and align side wall tabs with roof slots. Firmly press roof in place.



6 Place on a large, flat area. Sprinkle scratchers with catnip and enjoy watching your cat play.



DISTRIBUTED BY:
INTERNATIONAL PET SUPPLIES
AND DISTRIBUTION, INC.
SAN DIEGO, CA 92121